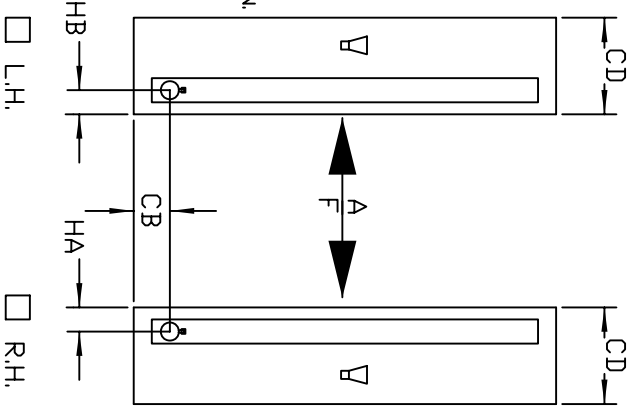
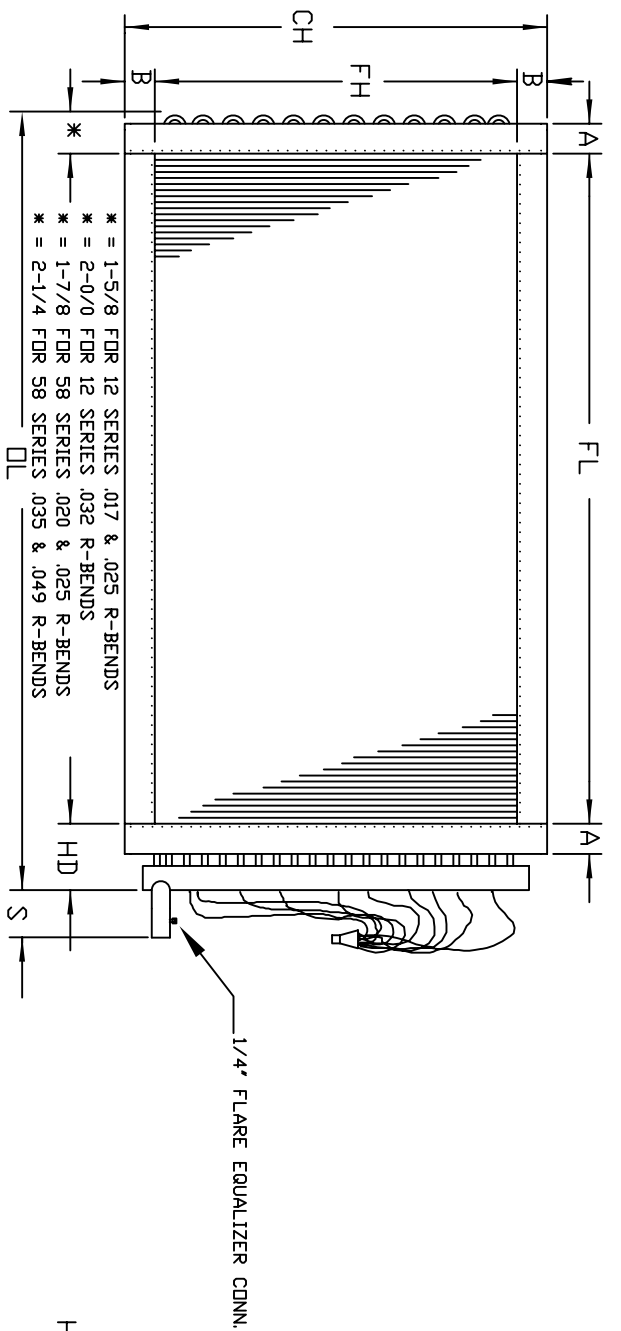




RAE Corporation
REPLACEMENT COIL DATA SHEET

< DIRECT EXPANSION COILS >
 SINGLE CIRCUIT

REP. NAME _____ PROJECT _____
 PR. NO. _____ MODEL _____



ROWS	FPI	FH	FL	A	B	CH	DL	CD	S	HA	HB	CT	CB	HD
FIN MATERIAL														
TUBE MATERIAL														
CASING MATERIALS														
CONNECTIONS														

NOTES _____

SUCTION _____
 LIQUID _____
 HDR DIA. _____

FLAT CORR 1/2 5/8 18 GA. 16 GA. COPPER STEEL

ALUM .006 .017 .020
 AL ACR .008 .025 .025
 CU .010 .032 .035
 CU ACR .049

GALV. S.S.
 ALUM. CU

FLANGE TYPE
 STACKING STANDARD

MPT. FPT. DDS.

ITEM NO. _____
 COIL CIRCUITING _____